

WE4800



Aluminium / steel alloy structure

Reduction unit with worm wheel and irreversible worm-screw. Reverse motion is possible only when the operator pulls the operating lever. Therefore this reduction system requires no brakes.

Manual drum clutch for drum engagement – disengagement.

Line speed 1st layer of cable (with empty drum): 4 m/m

Ratio 50:1 (total ratio: 290:1)

1st cable layer pulling capacity measured by dynamometer: 4800 kg

Zinc-plated steel cable guide with sliding rollers

CE- marked shockproof control pendant with pin connection

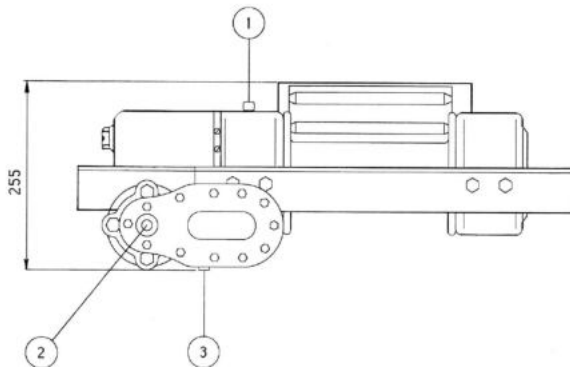
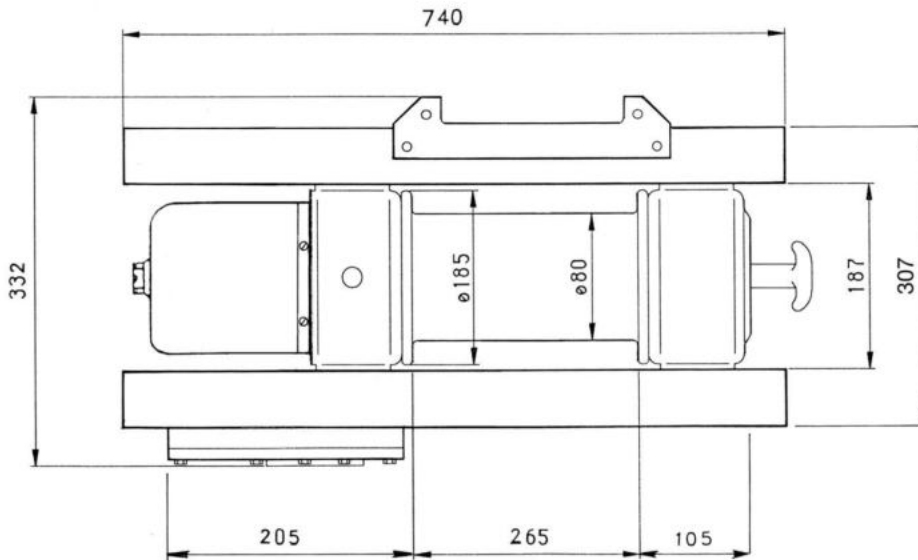
Radio control kit (extra)

24 V version

Max. current consumption 42 A

Total weight without cable: 48 kg

Max cable capacity: 30 m Ø 12 mm (extra)



- 1 - Oil filling plug
- 2 - Oil level plug
- 3 - Oil drain plug

CABLE LAYER	LINE PULL	CABLE LENGTH
1 st	4785 kg	5,50 m
2 nd	3680 kg	12,70 m
3 rd	2990 kg	21,50 m
4 th	2518 kg	32,00 m
Max. cable capacity: 30 m Ø 12 mm		